

### Features:

- Reversible 5mm toughened glass front door with lock.
- Reversible solid plate rear door with lock.
- Removable side panels with side pins, side locks are optional for protection.
- U marked mounting rail, width is more than 3.0cm.
- Widen mounting angles to ensure good stability and heavy loading capacity.
- Fan unit installed from outside of cabinet, easy to install and maintain when the cabinet is fully loaded of equipments.
- Special design bottom for better loading capacity.
- Flat packing recommend to save shipping freight and warehouse cost, delivered in 2 or 3 carton boxes only.

### Specifications:

- Material: SPCC cold rolled steel
- Thickness: Mounting rails: 2.0mm; others: 1.2mm
- IP degree: IP20
- Surface finishing: Degreasing, pickling, phosphoric, powder coated
- Static loading capacity: 600kgs

### Standards:

- ANSI/EIA RS-310-D
- IEC60297-2
- DIN41494, PART1
- DIN41494, PART7
- Compatible with 19" International Standards, ETSI



Rear door



Front glass door

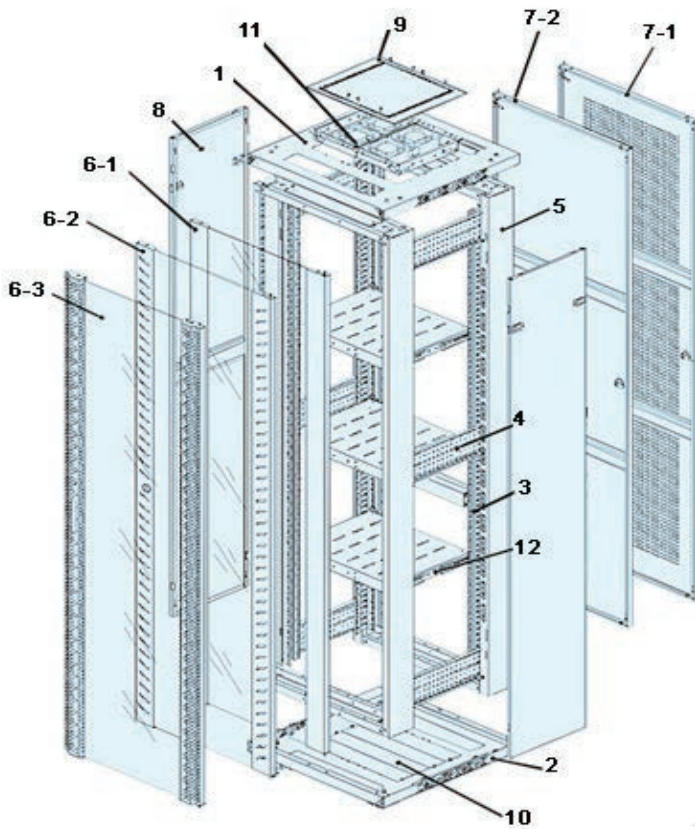


Widen mounting angle



Top

## Structure of cabinet



### Front door options:

- 6-1: toughened glass door
- 6-2: toughened glass door with stripped hole border
- 6-3: toughened glass door with net hole border
- 6-4: flat mesh door
- 6-5: arch mesh door

### Rear door options:

- 7-1: segment perforated door
- 7-2: solid metal door
- 7-3: double section mesh door
- 7-4: arch mesh door

### Other parts:

- 9: top cover
- 10: cable entry cover on bottom (cable entry cover with brush for option)
- 11: fan-unit (optional)
- 12: fixed shelf (optional)

## Main parts:

S/N	Specification	Qty	Unit	Material	Surface finishing	Remark
1	Top	1	pc	SPCC	Powder coated	---
2	Bottom	1	pc	SPCC	Powder coated	---
3	Mounting rails	4	pc	SPCC	Powder coated	---
4	Mounting angles	6	pc	SPCC	Powder coated	4pcs for 33u lower
5	Frame	2	pc	SPCC	Powder coated	---
6	Toughened glass door (6-1)	1	pc	SPCC	Powder coated	Small round lock
7	Steel solid rear door (7-2)	1	pc	SPCC	Powder coated	Small round lock
8	Removable side panels	2	pc	SPCC	Powder coated	---
9 <sup>①</sup>	Metal cable management slots	2	pc	SPCC	Powder coated	For 800mm width cabinet
10 <sup>①</sup>	Spacers	12	pc	SPCC	Powder coated	For 800mm width cabinet, 8pcs for 33U lower
11 <sup>①</sup>	Adjustable feet and 2" wheels	4	set	---	---	---
12 <sup>①</sup>	M6 screws and nuts	40	set	---	---	20 sets for 33U lower

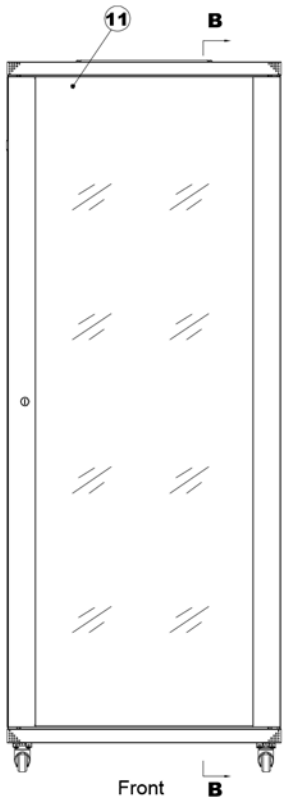
Remark: ① these items are not shown in the drawing, but they are the standard parts of cabinets.

**Specifications:**

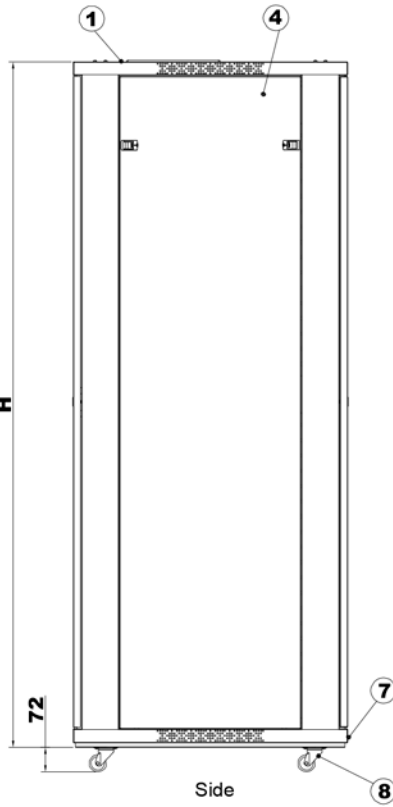
Width (mm)	Capacity	Height (mm)	Depth (mm)	SKD Volume (cbm)	Assembled packing dimension (mm)	Packages in flat packing
600	47U	2200	600	0.38	640*640*2290	2
			800	0.39	640*840*2290	2
			900	0.55	640*940*2290	3
			1000	0.58	640*1040*2290	3
	42U	2000	600	0.33	640*640*2090	2
			800	0.36	640*840*2090	2
			900	0.51	640*940*2090	3
			1000	0.52	640*1040*2090	3
	38U	1800	600	0.32	640*640*1890	2
			800	0.33	640*840*1890	2
			900	0.45	640*940*1890	3
			1000	0.48	640*1040*1890	3
	33U	1600	600	0.28	640*640*1690	2
			800	0.29	640*840*1690	2
			900	0.41	640*940*1690	3
			1000	0.44	640*1040*1690	3
	29U	1400	600	0.25	640*640*1490	2
			800	0.26	640*840*1490	2
			900	0.37	640*940*1490	3
			1000	0.39	640*1040*1490	3
	24U	1200	600	0.22	640*640*1290	2
			800	0.24	640*840*1290	2
			900	0.33	640*940*1290	3
			1000	0.35	640*1040*1290	3
	20U	1000	600	0.21	640*640*1090	2
			800	0.22	640*840*1090	2
			900	0.28	640*940*1090	3
			1000	0.31	640*1040*1090	3
15U	800	600	0.17	640*640*890	2	
		800	0.19	640*840*890	2	
800	47U	2200	600	0.49	840*640*2290	2
			800	0.51	840*840*2290	2
			900	0.52	840*940*2290	2
			1000	0.53	840*1040*2290	2
	42U	2000	600	0.44	840*640*2090	2
			800	0.46	840*840*2090	2
			900	0.47	840*940*2090	2
			1000	0.48	840*1040*2090	2
	38U	1800	600	0.42	840*640*1890	2
			800	0.43	840*840*1890	2
			900	0.44	840*940*1890	2
			1000	0.45	840*1040*1890	2

BUY ON

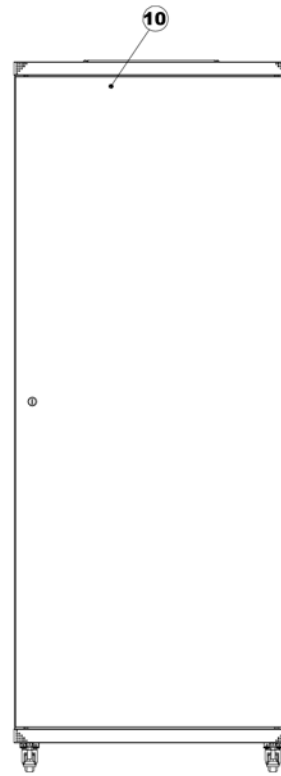
[www.cablematic.com](http://www.cablematic.com)



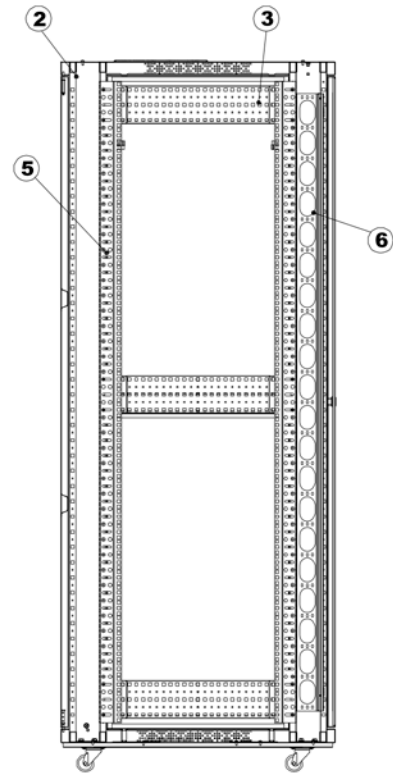
Front



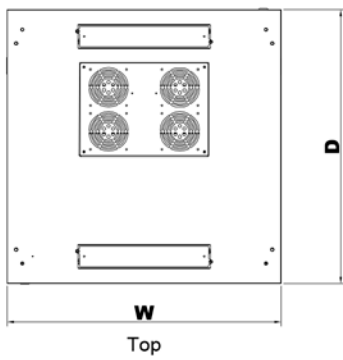
Side



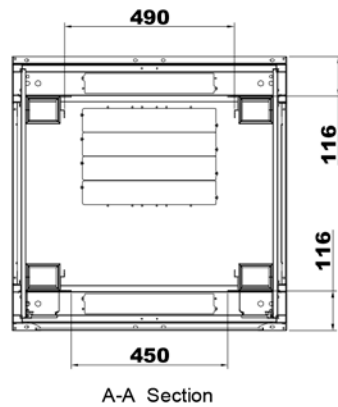
Back



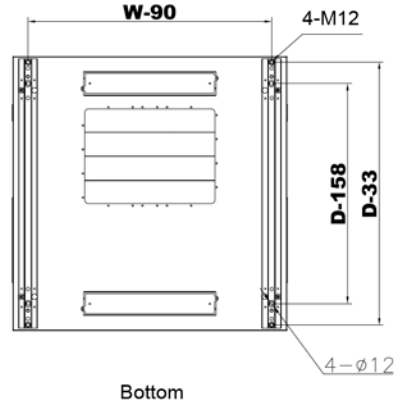
B-B Section



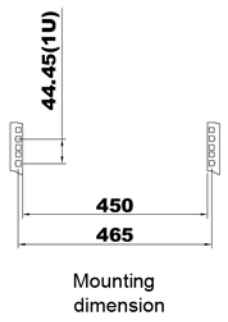
Top



A-A Section



Bottom



Mounting dimension

BUY ON

[www.cablematic.com](http://www.cablematic.com)