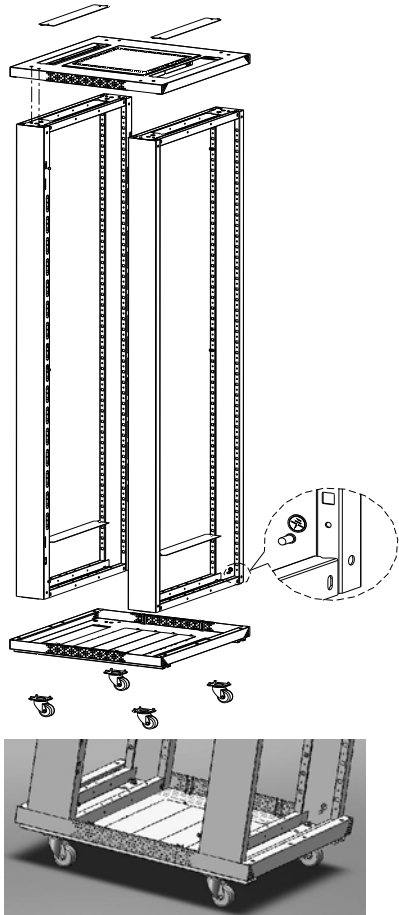


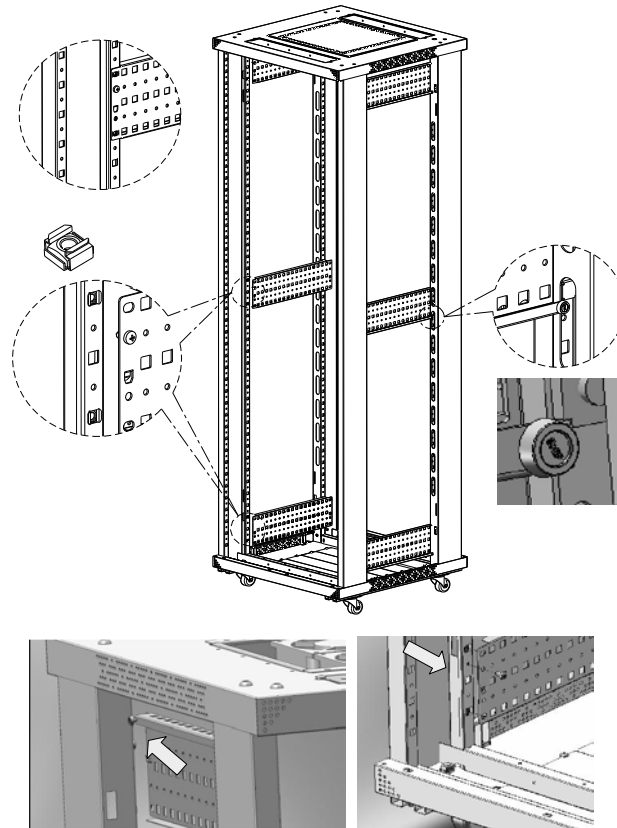
CABINET INSTALLATION Manual (Rev 2: 22-03-11)



【1】: Use M8*12 screws & M8 nuts to connect the frames, top & bottom. Note A: ensure the frame with earthing kits is at the right side, earthing kits is at bottom when assemble. B: Ensure the fan-unit at top & cable entry at bottom is close to the rear side.

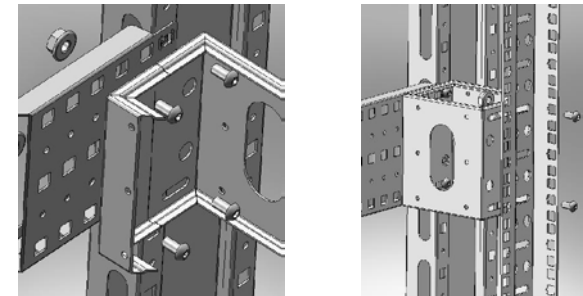
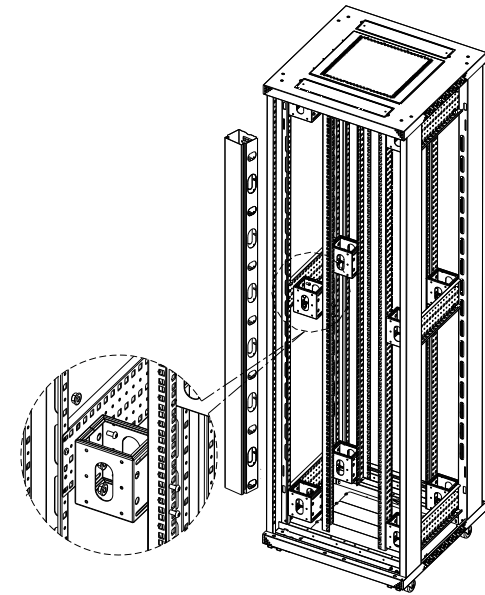
【2】: Install the cable entry panels to the top & bottom by M5*10 self-tapping screws.

【3】: **Install the castors to the four corners at bottom by 16pcs M5*10 self-tapping screws.**



Attention; make sure the upper mounting angles will be mounted like this when install.

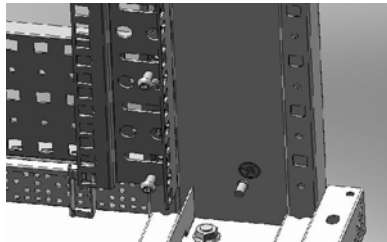
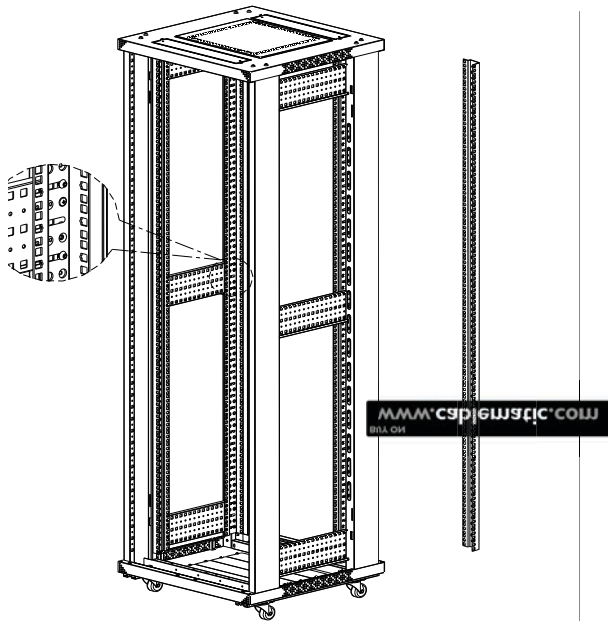
【4】: **Install mounting angles. 6pcs of mounting rails for 33U & more than 33U, 4pcs for less than 33U (only for top & bottom, no mounting angles in the middle when less than 33U).** Before install the mounting angles, check if there are plastic shockproof cushions at both ends of mounting angles. Note: install M6 nuts to the first & the third holes from top to bottom, so does the bottom. For 33U & more than 33U, install 2pcs of M6 nuts in the middle of frames, ensure the nuts at both sides are in the same height. Install the mounting angles to frames by self-tapping screws.



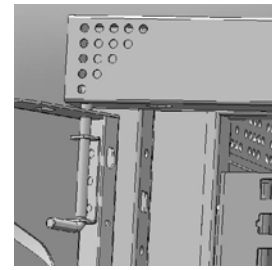
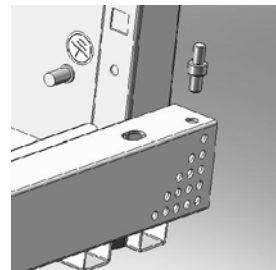
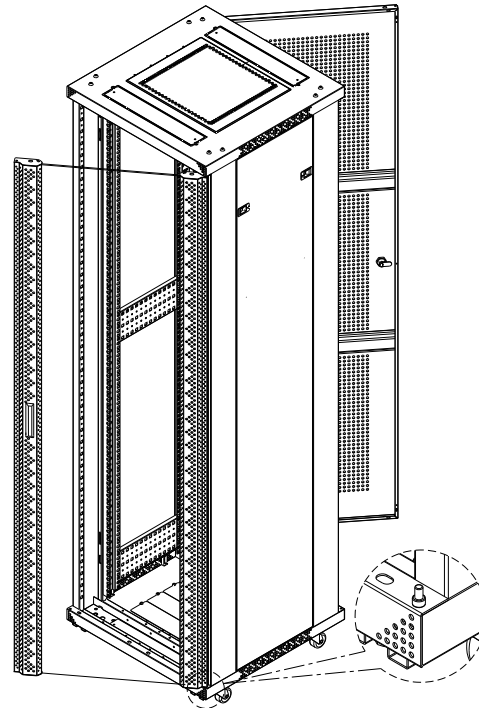
【5】: **Install spacers & metal cable managements (only for 800mm width cabinets). Install 12 pcs of spacers to 33U & more than 33U, 8pcs of spacers to less than 33U. 2 pcs of metal cable managements for each cabinet.**

Note A: ensure the spacers & the ends of mounting angles are the in the same level. Install 2pcs M6*12 screws through the spacers and connected with the M6 nuts we have installed in Step 4. Install another 2pcs of M6*12 screws through spacers & mounting angles, connected with M6 nuts. 2. Take off the caps from the metal cable management slots, install the metal cable managements to the spaces by 2pcs of M5*10 self-tapping screws.

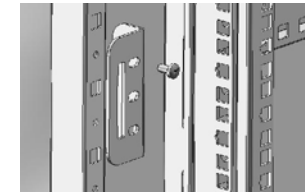
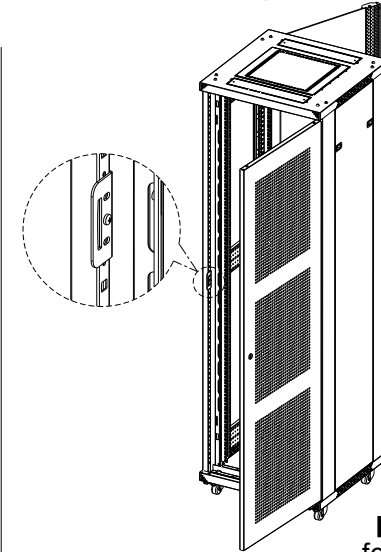
CABINET INSTALLATION Manual (Rev 2: 22-03-11)



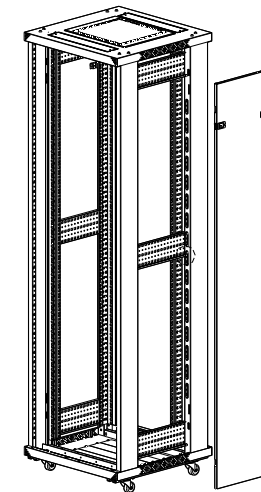
【6】 : install the mounting rails.
For 800mm width cabinet, install mounting rails to spacers by 2pcs of M6*12 screws & M6 nuts. Check the picture in Step 5.
For 600mm width cabinet, install 2pcs of M6*12 screws through mounting rails & mounting angles and connect to the M6 nuts which installed to the frames in Step 4.
Remark: The front/rear depth of mounting rails could be adjusted by you.



【7】 : Install front door, rear door.
Put the door block to the hole of the bottom of frame, and set the front door/rear door. Fix the top of front/rear door by bolts and top of frame.
Before install the doors, please kindly check whether there are 3pcs of plastic shockproof cushions in the door side with locks.



【8】 : install the panel for lock.
Ensure the panel installed to the frame is in the same height as the lock's height, install the panel to the frame by M5*10 self-tapping screws.



【9】 : install side panels, adjust the diagonal dimension of cabinets.
Remark: because the cabinets is disassembled design, after assemble, please check and adjust the diagonal dimension, ensure the space between doors are acceptable, doors could open and close well